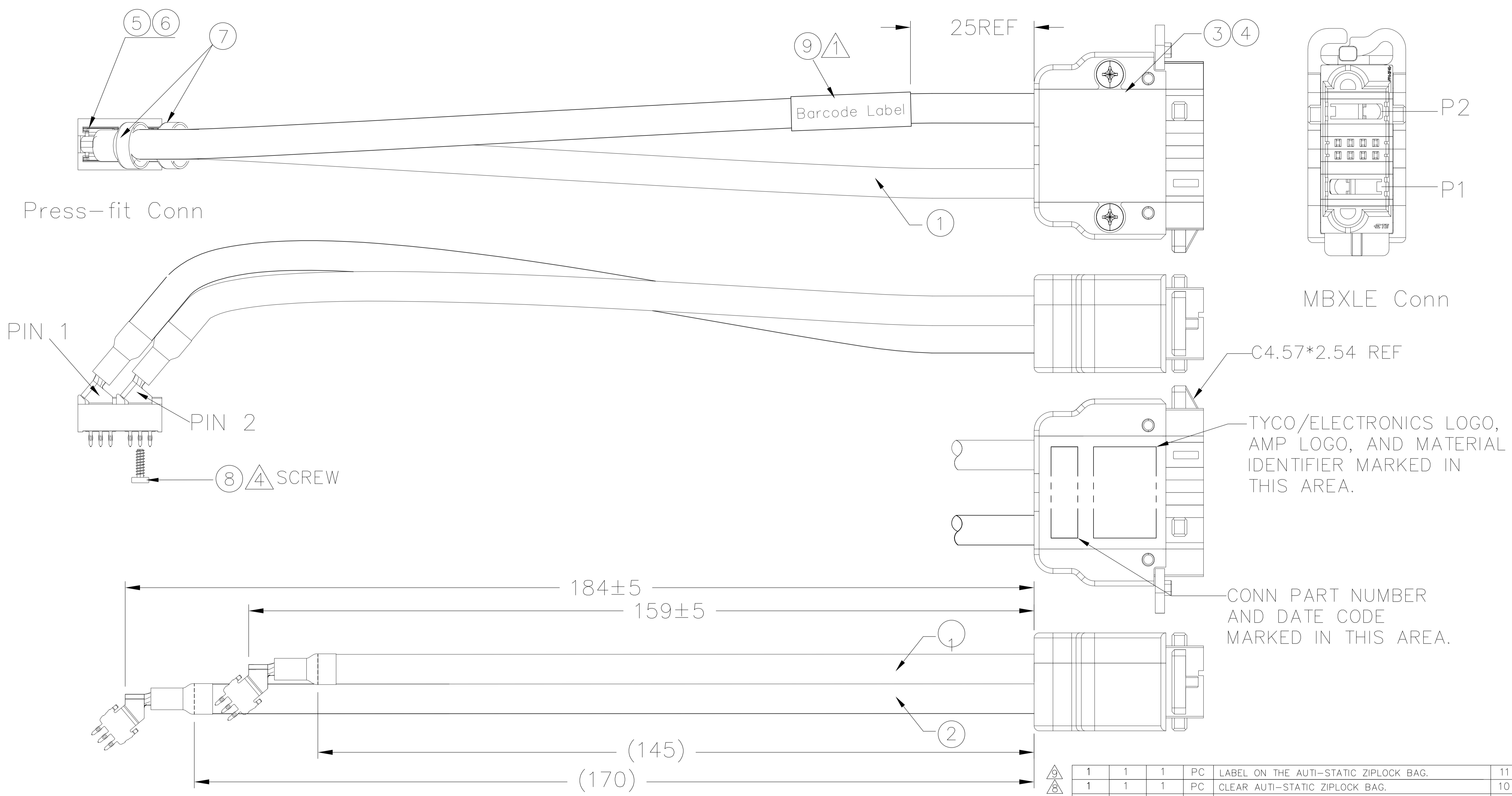


REVISIONS				
P	LTR	DESCRIPTION	DATE	APPV
D2		Correct revision	25MAR2017	JX DZ



CABLE LENGTH BEFORE INSERTING PRESS-FIT HOUSING

NOTES:
 THE MARKING TEXT AS FOLLOWS:

Press-fit Cable
 TE PN: 2159562-X
 SN: PCTYYWSSSSSS

TE PN
 BAR CODE
 PCT-Press-fit Cable.YYWW-DATE CODE, SSSSS-SERIES NUMBER.

- 100% ELECTRICALLY TESTED: OPEN/SHORT, HI-POT. HI-POT: 500VDC, 50 MEGAOHMS FOR 100 MILLISECONDS.
- ROHS COMPLIANCE: PRODUCT AND PROCESSING MEETS REQUIREMENTS OF TE SPECIFICATION TEC-138-702.
- SCREW FOR PRESS-FIT CONN WILL BE PACKAGED SEPARATELY. RECOMMEND TOOL FOR SCREW: SIZE RANGE 1.7~2MM CROSS SCREWDRIWER, TORQUE RANGE 0.10~0.15N.M.

TE P/N WITH SCREW,LSZH	2159562-3
TE P/N W/O SCREW	2159562-2
TE P/N WITH SCREW	2159562-1

WIRING CHART:

MBXLE Conn	Press-fit Conn	WIRE COLOR	WIRE SIZE
P1	PIN 2	BLACK	8AWG
P2	PIN 1	RED	8AWG

QTY	UNIT	DESCRIPTION	ITEM NO
1	PC	LABEL ON THE AUTO-STATIC ZIPLOCK BAG.	11
1	PC	CLEAR AUTO-STATIC ZIPLOCK BAG.	10
1	PC	LABEL ON WIRE.	9
1	PC	M1.6 SCREW FOR PRESS-FIT HOUSING.	8
AR	MM	HEAT SHRINK TUBE. HF	7
1	PC	PRESS FIT HOUSING.	6
2	PC	PRESS FIT CONTACT.	5
2	PC	MBXLE PLUG POWER CONTACT	4
1	PC	MBXLE PLUG ASSY: TOP+BOTTOM+HEADER+SCREW	3
AR	M	WIRE, 8AWG,HIGH STRAND/HIGH FLEX, RED,LSZH	2
AR	M	WIRE, 8AWG,HIGH STRAND/HIGH FLEX, BLACK,LSZH	1
-3	U/M		

THIS DRAWING IS A CONTROLLED DOCUMENT.

TE Connectivity

108-128013/2157-1

114-32129/1316

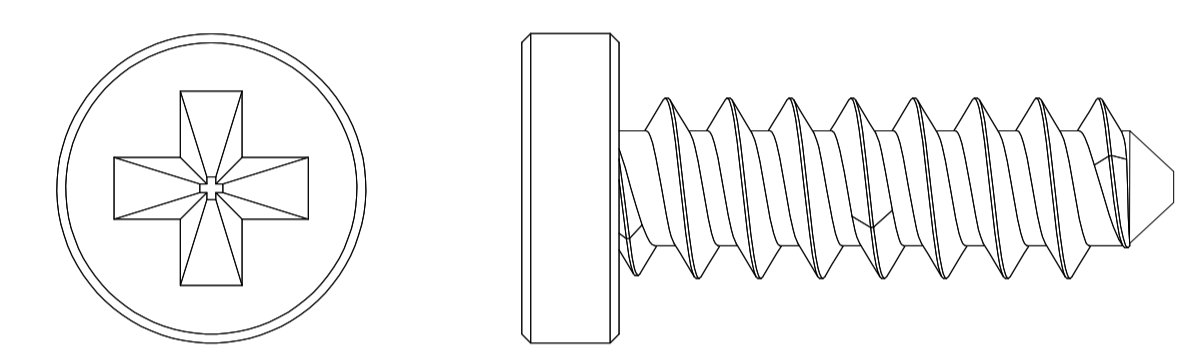
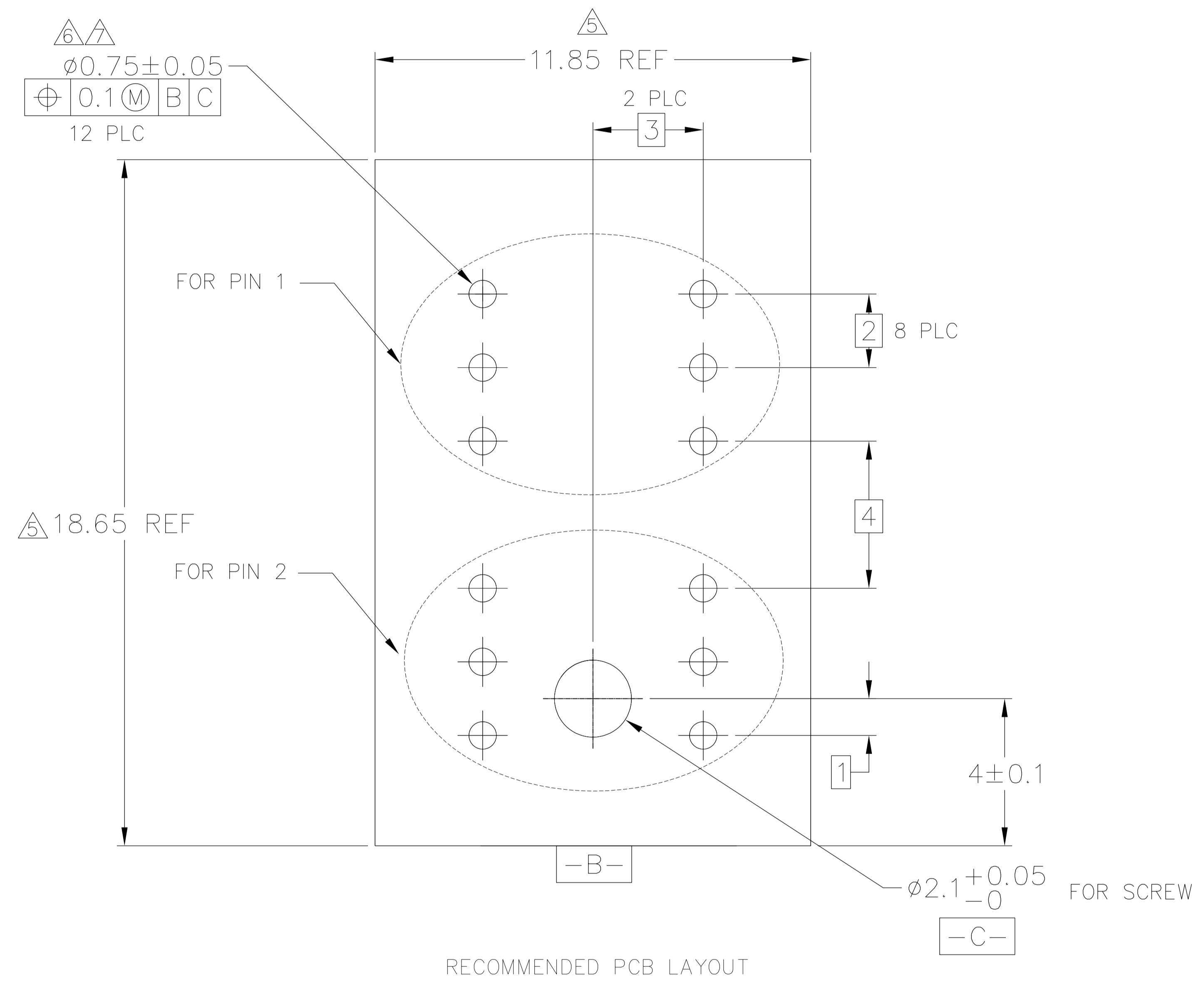
63Gram

00779

2159562

SCALE: N.T.S. SHEET 1 OF 2 REV. D2

REVISIONS				
P	LTR	DESCRIPTION	DATE	APPV
-	-	SEE SHEET 1	-	-



RECOMMENDED RETENTION SCREW
SCREW LENGTH 6.5 IS DESIGNED
FOR 2.16mm THICKNESS BOARD

NOTES:

- 5 MECHANICAL CONNECTOR KEEP OUT ZONE.
- 6 PCB- ALL HOLE DIAMETERS ARE FINISHED HOLE SIZES.
- 7 PCB- 0.85+0.01/-0.04 DRILLED HOLES PLATED WITH 0.0009 MIN TIN OVER 0.025 MIN Cu PLATING TO ACHIEVE A 0.75±0.05 HOLE.
- 8 INDIVIDUALLY PACK EACH CABLE ASSEMBLY WITH A CLEAR ANTI-STATIC ZIPLOCK BAG.
- 9 APPLY LABEL ONTO CLEAR ANTI-STATIC ZIPLOCK BAG, THE MARKING TEXT AS FOLLOWS:

TE P/N REV.*	— TE PN &REV.
DATE CODE: YYWW	— YY: Year; WW: week.
MADE IN ****	— Country of Origin

THIS DRAWING IS A CONTROLLED DOCUMENT.		DWN Grace, Li	16DEC2013	 TE Connectivity
DIMENSIONS: mm		CHK Glen Gutgold	16DEC2013	
TOLERANCES UNLESS OTHERWISE SPECIFIED:		APVD Wesley Wang	16DEC2013	NAME CABLE ASSY,PRESS FIT POWER
0 PLC	± -	PRODUCT SPEC SEE SHEET 1		RESTRICTED TO
1 PLC	± -	APPLICATION SPEC SEE SHEET 1		
2 PLC	± -	SIZE	CAGE CODE	DRAWING NO
3 PLC	± -	WEIGHT	SEE SHEET 1	A1 00779
4 PLC	± -	CUSTOMER DRAWING		SCALE N.T.S.
ANGLES	± -	SHEET 2 OF 2		REV D2
MATERIAL	-	FINISH		-
		C=2159562		