

IRS21856S
High(Dual Mode) and Low Side Driver

Features

- High side Programmable ramp gate drive
- High side generic gate driver integrated using the same high side output pin
- Low side generic gate driver
- Under voltage lockout for VCC & VBS
- 5V input logic compatible
- Tolerant to negative transient voltage on VS
- Shoot through prevention
- RoHS compliant

Product Summary

Topology	PDP
V _{OFFSET}	≤ 600 V
HO1 SR+	4.5V/us
I _{o+} & I _{o-} (typical)	0.5A & 0.5A
t _{ON} & t _{OFF} (typical)	160ns & 160ns

Package Options



Table of Contents	Page
Description	3
Simplified Block Diagram	4
Typical Application Diagram	5
Qualification Information	7
Absolute Maximum Ratings	8
Recommended Operating Conditions	8
Static Electrical Characteristics	9
DV / Linear (Stepwise) Mode	10
Dynamic Electrical Characteristics	10
Timing Diagram and logic truth table	11
Input/Output Pin Equivalent Circuit Diagram	16
Lead Definitions	17
Lead Assignments	17
Package Details	18
Tape and Reel Details	19
Part Marking Information	20
Ordering information	21

Not recommended for new designs. No replacement is available

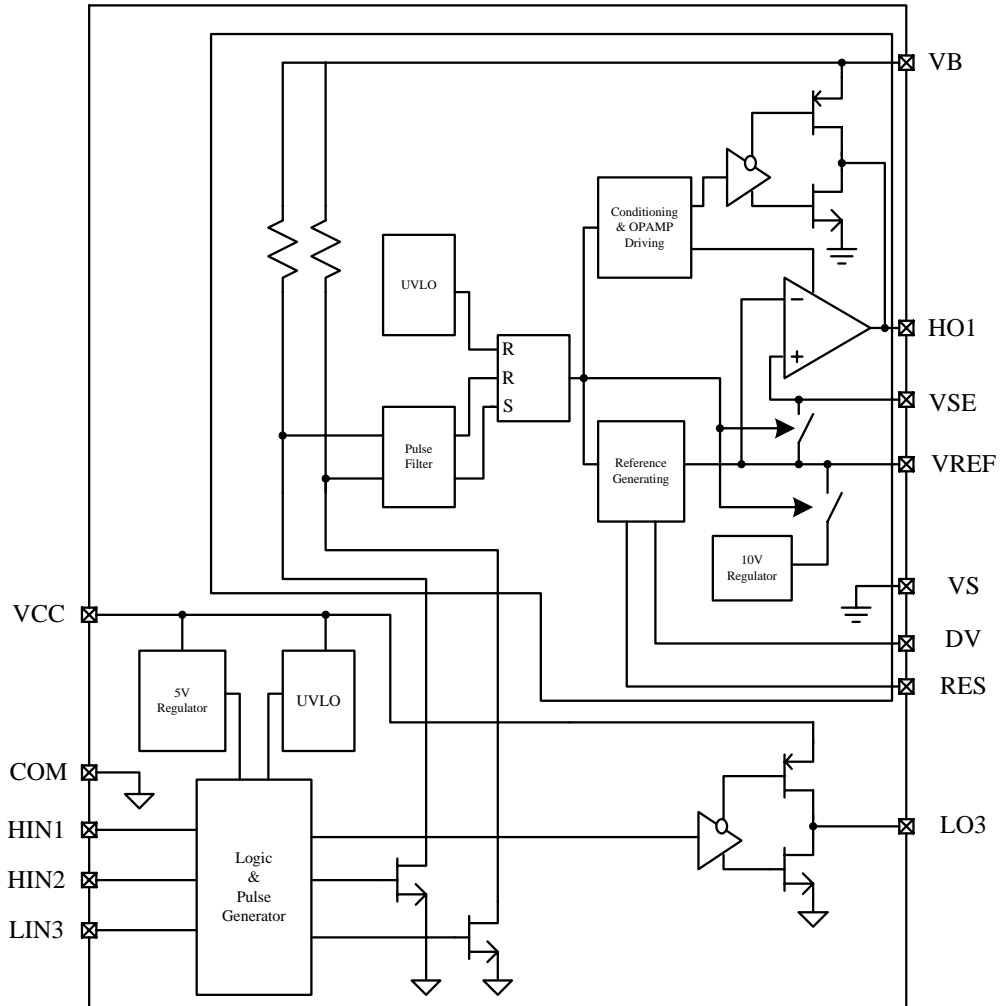
International
IR Rectifier

IRS21856S

Description

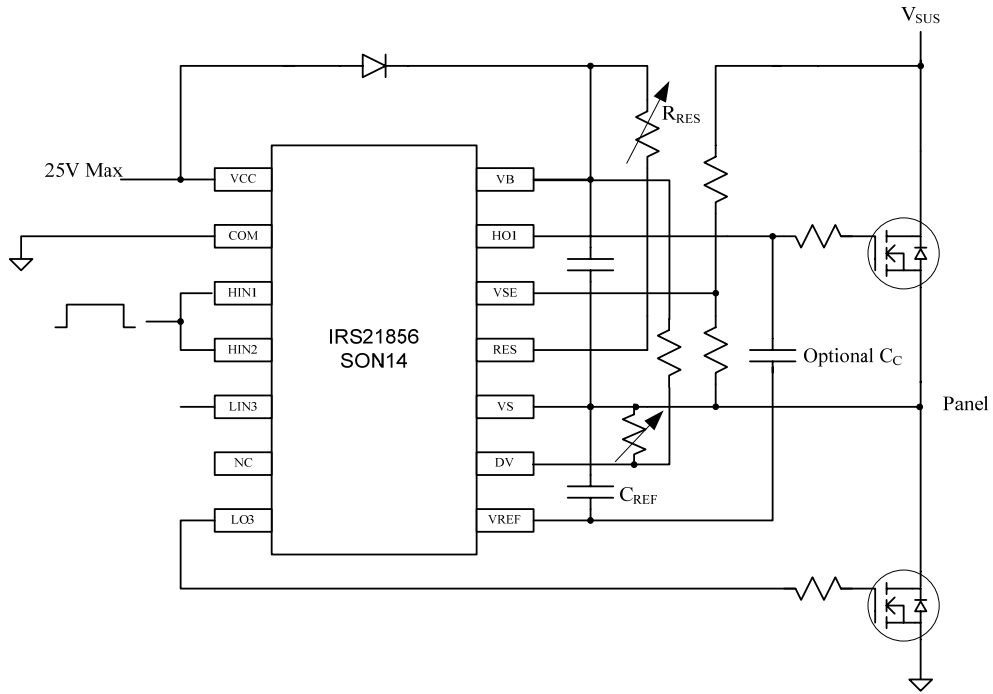
The IRS21856 is high voltage and programmable ramp slope control gate driver for MOSFET and IGBT with single high side dual mode driver and low side driver. Proprietary HVIC and latch immune CMOS technologies enable ruggedized monolithic construction. The logic input is compatible with 5V standard CMOS or LSTTL output. The output driver features a programmable slope control by external R/C and input signal. The floating channels can be used to drive an N-channel power MOSFET or IGBT in the high side configuration, which operates up to 600 volts above the COM ground.

Simplified Block Diagram

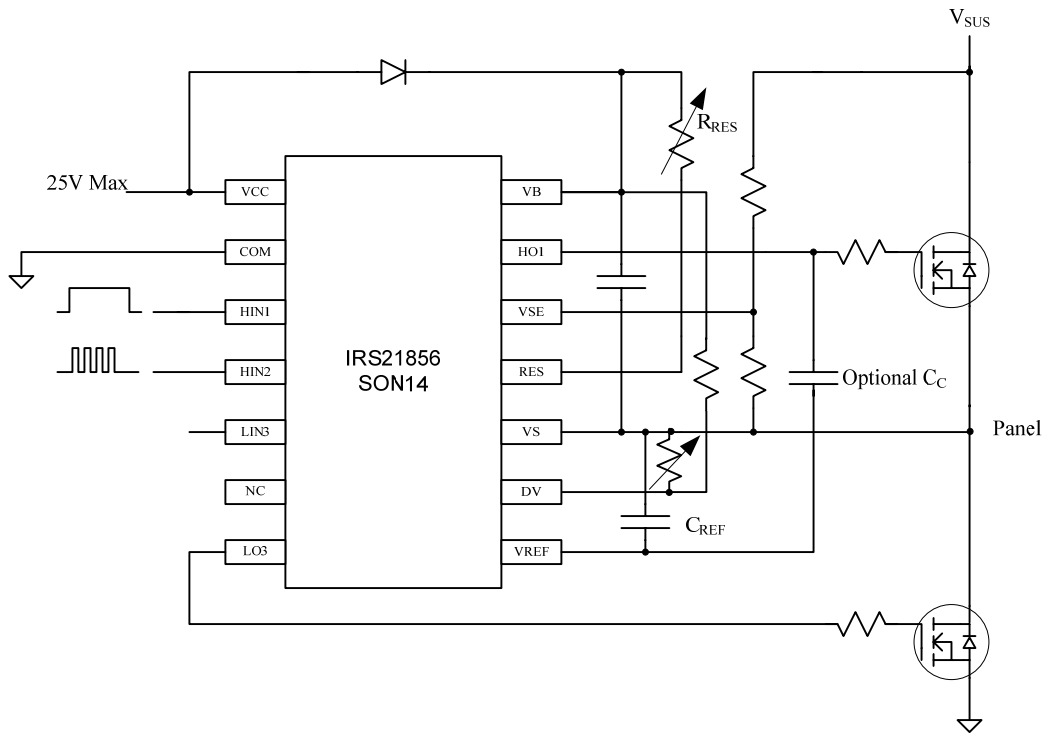


Typical Connection Diagrams

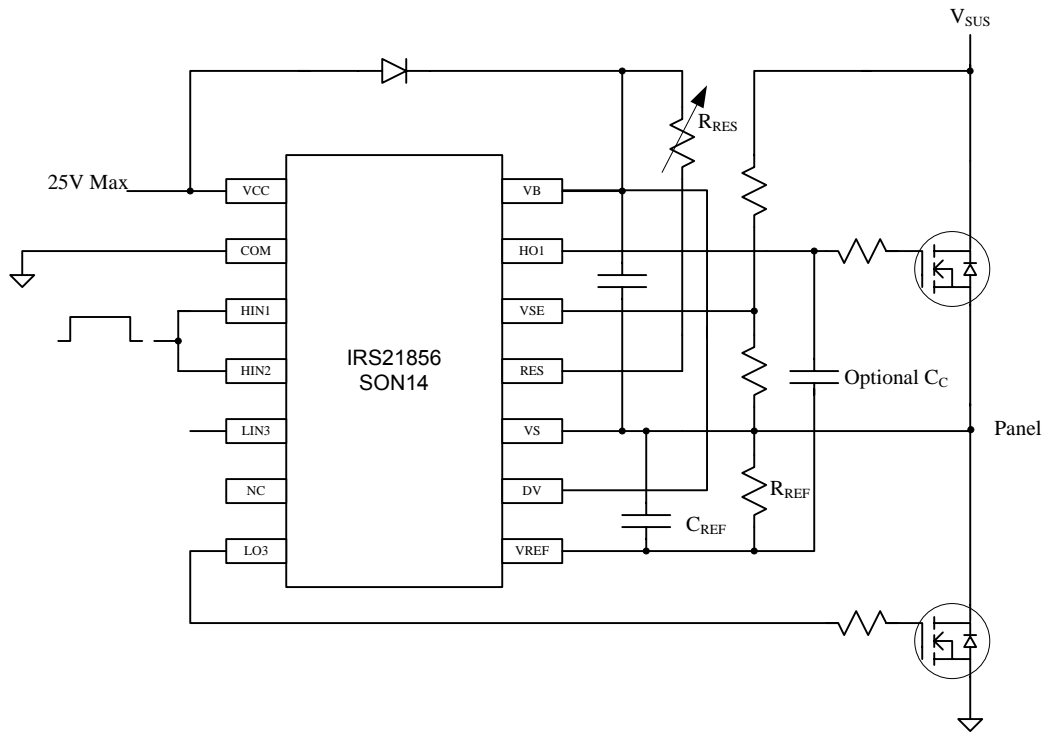
A) Linear Ramp driver's connection diagram



B) Stepwise Linear Ramp driver's connection diagram



C) Exponential Ramp driver's connection diagram



Qualification Information[†]

Qualification Level		Industrial ^{††}	
		Comments: This family of ICs has passed JEDEC's Industrial qualification. IR's Consumer qualification level is granted by extension of the higher Industrial level.	
Moisture Sensitivity Level		SOIC14N	MSL2 ^{†††} 260°C (per IPC/JEDEC J-STD-020)
ESD	Machine Model	Class A (per JEDEC standard JESD22-A115)	
	Human Body Model	Class 2 (per EIA/JEDEC standard EIA/JESD22-A114)	
IC Latch-Up Test		Class I , Level A (per JESD78)	
RoHS Compliant		Yes	

† Qualification standards can be found at International Rectifier's web site <http://www.irf.com/>

†† Higher qualification ratings may be available should the user have such requirements. Please contact your International Rectifier sales representative for further information.

††† Higher MSL ratings may be available for the specific package types listed here. Please contact your International Rectifier sales representative for further information.

Absolute Maximum Ratings

Absolute maximum ratings indicate sustained limits beyond which damage to the device may occur. All voltage parameters are absolute voltages referenced to COM.

Symbol	Definition	Min	Max	Units
V_{CC}	Low side supply voltage	-0.3	25	V
V_{IN}	Logic input voltage (HIN1, HIN2, LIN3)	COM-0.3	VCC +0.3	V
V_{LO}	Low side gate drive output voltage	COM-0.3	VCC +0.3	V
$V_{DV},$ V_{VREF}	High side inputs voltage	VS-0.3	VB+0.3	V
$V_{VSE},$ V_{RES}	High side inputs voltage	VS-0.3	VB+0.3	V
V_B	High side floating well supply voltage	-0.3	625	V
V_S	High side floating well supply return voltage	VB-25	VB+0.3	V
V_{HO1}	Floating gate drive output voltage	VS-0.3	VB+0.3	V
dV_S/dt	Allowable VS offset supply transient relative to COM	-	50	V/ns
P_D	Package Power Dissipation @ TA<=+25°C	-	1.0	W
$R_{\theta JA}$	Thermal Resistance, Junction to Ambient	-	120	°C/W
T_J	Junction Temperature	-55	150	°C
T_S	Storage Temperature	-55	150	°C
T_L	Lead temperature (Soldering, 10 seconds)	-	300	°C

Recommended Operating Conditions

For proper operation, the device should be used within the recommended conditions. All voltage parameters are absolute voltages referenced to COM. The offset rating are tested with supplies of (VCC-COM) = (VB-VS)=15V.

Symbol	Definition	Min	Max	Units
V_{CC}	Low side supply voltage	10	20	V
V_{IN}	HIN1, HIN2, LIN3 input voltage	COM	VCC	V
V_{LO3}	Low side gate drive output voltage	COM	VCC	V
V_B	High side floating well supply voltage	VS+10	VS+20	V
V_{RES}	RES input voltage	VS	VB	V
V_{DV}	DV input voltage	VS	VB	V
$V_{VREF, VSE}$	VREF and VSE input voltage	VS	VB-3	V
V_S	High side floating well supply offset voltage	Note2††	600	V
V_{HO1}	Floating gate drive output voltage	VS	VB	V
T_A	Ambient Temperature	-40	125	°C

† V_S and V_B voltages will be tolerant to short negative transient spikes. These will be defined and specified in the future.

†† Logic operation for Vs of -5 to 600V. Logic state held for Vs of -5V to $-V_{BS}$. (Please refer to Design Tip DT97-3 for more details).

Static Electrical Characteristics

(VCC-COM) = (VB-VS)=15V. TA = 25°C. The VIN, VIN TH and IIN parameters are referenced to COM. The Vo and Io parameters are referenced to respective VS, COM and are applicable to the respective output leads HO1, LO3. The VCCUV parameters are referenced to COM. The VBSUV parameters are referenced to VS.

Symbol	Definition	Min	Typ	Max	Units	Test Conditions
VCCUV+	VCC supply undervoltage positive going threshold	8.1	9.0	9.9	V	
VCCUV-	VCC supply undervoltage negative going threshold	7.5	8.3	9.1		
VBSUV+	VBS supply undervoltage positive going threshold	8.1	9.0	9.9		
VBSUV-	VBS supply undervoltage negative going threshold	7.5	8.3	9.1		
ILK	High side floating well offset supply leakage current	---	---	50	µA	VB = VS = 600V
IQBS	Quiescent VBS supply current	---	4.7	8.5	mA	IN1, 2 = 5V, RES=130kohm
		---	800	1400	µA	IN1, 2 = 0V, RES=130kohm
IQCC	Quiescent VCC supply current	---	120	250	µA	IN1,2,3 = 0V or 5V
VIH	Logic "1" input voltage	3.5	---	---	V	
VIL	Logic "0" input voltage	---	---	0.8		
IIN+	Logic "1" input bias current	---	5	---	µA	VIN =5V
IIN -	Logic "0" input bias current	---	0	---		VIN =0V
Io+_ HO1,LO3	Output high short circuit pulsed current	---	0.5	---	A	Vo=15V, VIN=5V, PW<=10us
Io-_ HO1,LO3	Output low short circuit pulsed current	---	0.5	---		Vo=0V, VIN=0V, PW<=10us
VOl_ HO1, LO3	Low level output voltage	---	35	150	mV	Io=2mA
VOH_ HO1, LO3	High level output voltage, Vbias-Vo	---	15	80	mV	Io=2mA
DV exp+	Positive DV input threshold for exponential ramp	---	9.5	---	V	CREF =1nF, VSE open RRES =130K

DV / Linear (Stepwise) Mode

Symbol	Definition	Min	Typ	Max	Units	Test Conditions
V _{REF, hold}	DV reference voltage	0.4	0.5	0.6	V	DV=500mV, C _{REF} =1nF, V _{SE} open R _{RES} =130K,
		2.82	3	3.18		DV=3V, C _{REF} =1nF, V _{SE} open R _{RES} =130K,

Dynamic Electrical Characteristics

(V_{CC-COM})=(V_B-V_S)=15V. T_A = 25°C. C_L = 1000pF unless otherwise specified. All parameters are reference to COM.

Symbol	Definition	Min	Typ	Max	Units	Test Conditions
Internal Operational Amplifier Characteristics						
t _{ref_in_ramp}	Linear ramp reference 10% to 90%	110	170	230	μs	C _{REF} =1nF, V _{SE} open, R _{RES} =130K, V _{DV} =V _S =COM
G _m	OTA transconductance	---	12	---	mS	C _{L_LO} =1nF, V _{DV} =V _B , R _{RES} =130K, dc bias 5V
G _{open loop}	Open loop gain	45	60	---	dB	C _c =1nF, V _{DV} =V _B , R _{RES} =130K
BW _{SS}	Small signal bandwidth	---	3.5	---	MHz	C _c =1nF V _{DV} =V _B , R _{RES} =130K
V _{OS}	Input offset voltage	---	10	---	mV	V _{DV} =V _B , R _{RES} =130K
HO1 _{SR+}	Output positive slew rate	---	4.5	---	V/μs	C _{L_HO1} =1nF, V _{DV} =V _B , R _{RES} =130K
CMRR	Common mode rejection ratio	55	65	---	dB	V _{DV} =V _B , R _{RES} =130K
PSRR	Power supply rejection ratio	55	65	---	dB	V _{DV} =V _B , R _{RES} =130K
Propagation Delay Characteristics						
t _{on}	Turn-on delay (HO1, LO3)	---	150	250	ns	Gate Drive Mode C _L =1nF
t _{off}	Turn-off delay (HO1, LO3)	---	160	260		
t _r	Turn-on rise from 10% to 90%	---	30	70		
t _f	Turn-off fall from 90% to 10%	---	20	70		
MT	Delay matching, HO1 & LO3 turn-on/off			50		

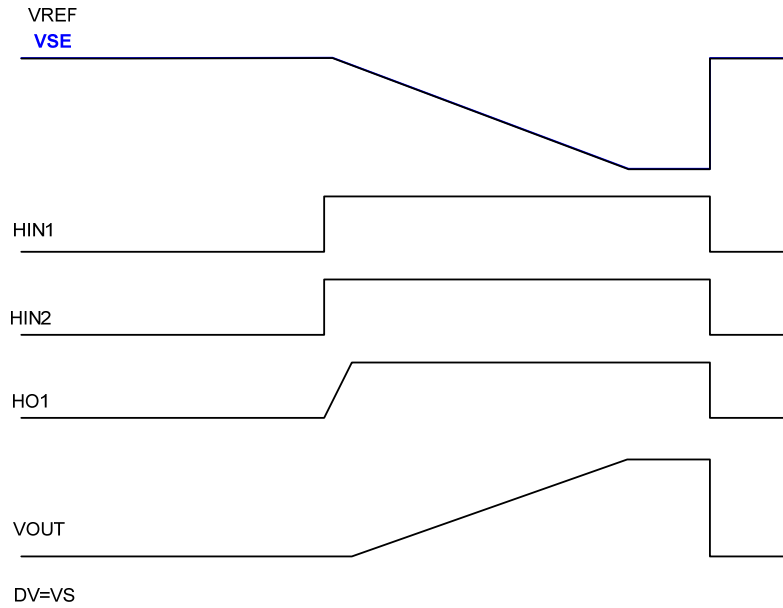


Figure 1A1 Input/Output Timing Diagram: Linear Ramp

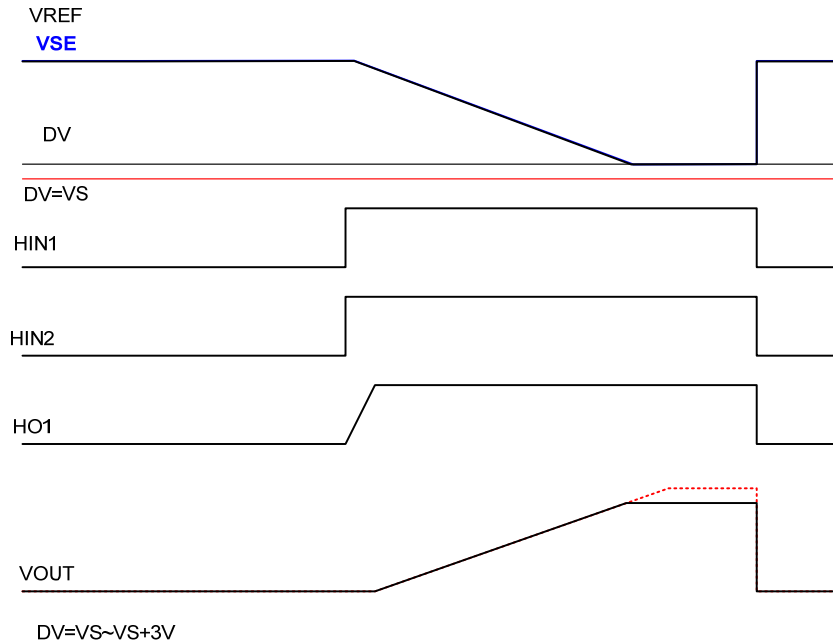


Figure 1A2 Input/Output Timing Diagram: Linear Ramp with voltage difference

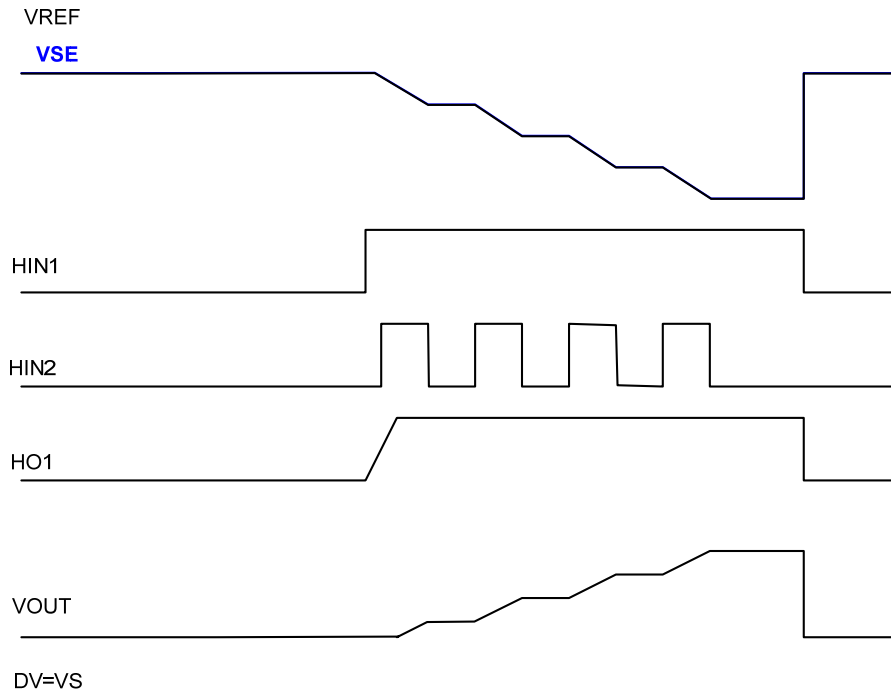


Figure 1B Input/Output Timing Diagram: Stepwise linear Ramp

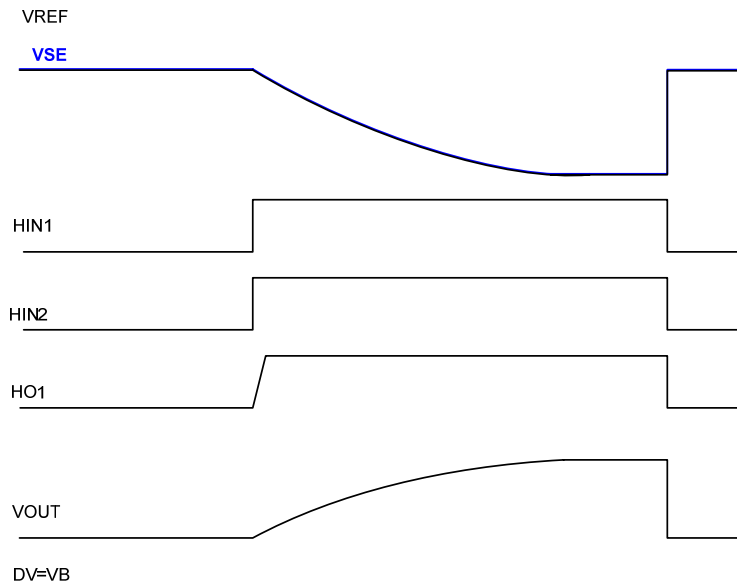


Figure 1C Input/Output Timing Diagram: Exponential Ramp

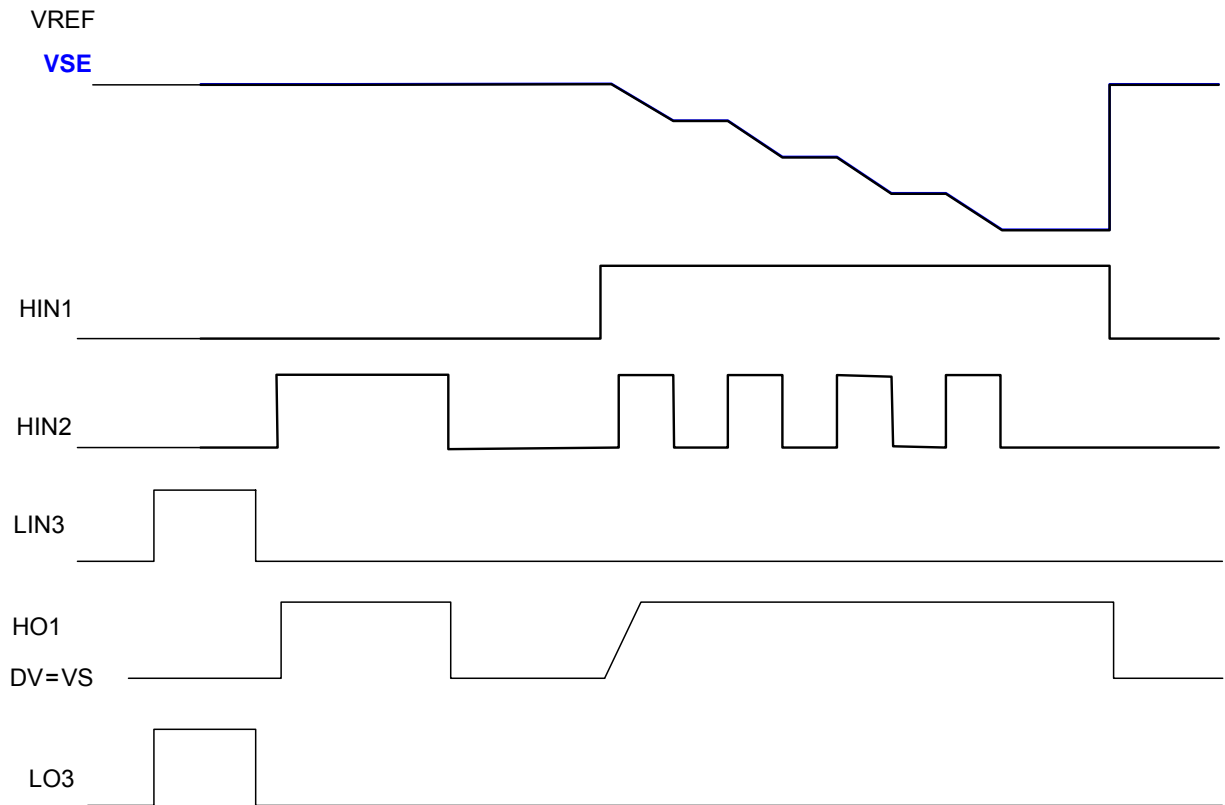


Figure 1D Input/Output Timing Diagram : HO1/LO3 outputs

Logic Truth Table

HIN1	HIN2	LIN3	LO3	OTA of HO1	Gate driver of HO1
0	0	0	0	High impedance (HIZ)	0
0	0	1	1	High impedance (HIZ)	0
0	1	0	0	High impedance (HIZ)	1
0	1	1	0	High impedance (HIZ)	0
1	1	0	0	Linear/Exp ramp depend on DV pin	High impedance (HIZ)
1	1	1	0	High impedance (HIZ)	0
1	Step(0/1)	0	0	Stepwise linear if DV pin is Vs	High impedance (HIZ)
1	Step(0/1)	1	0	High impedance (HIZ)	0

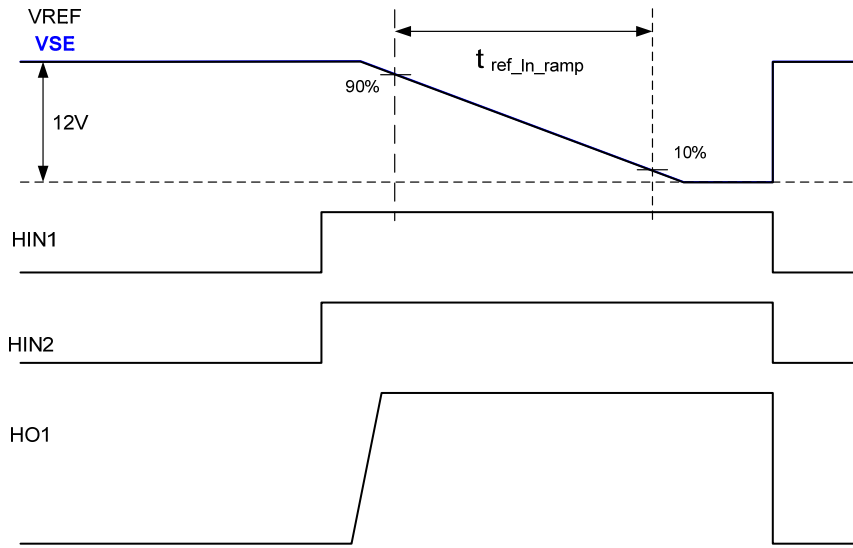


Figure 2 Timing Definitions of V_{REF}

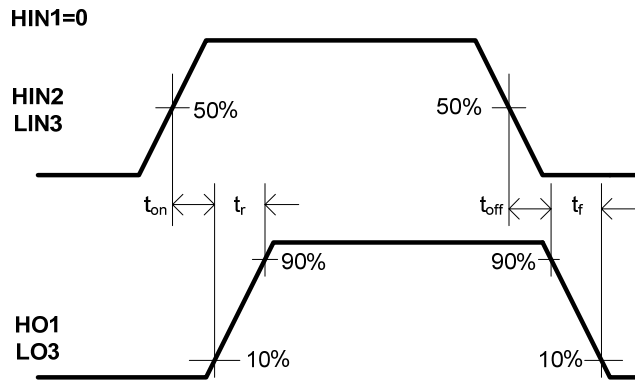


Figure 3 Switching Time Waveform Definitions of $HO1$ and $LO3$

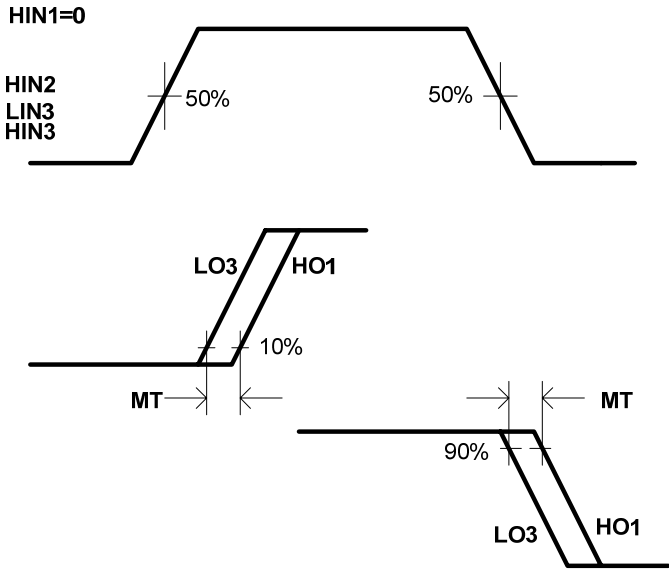
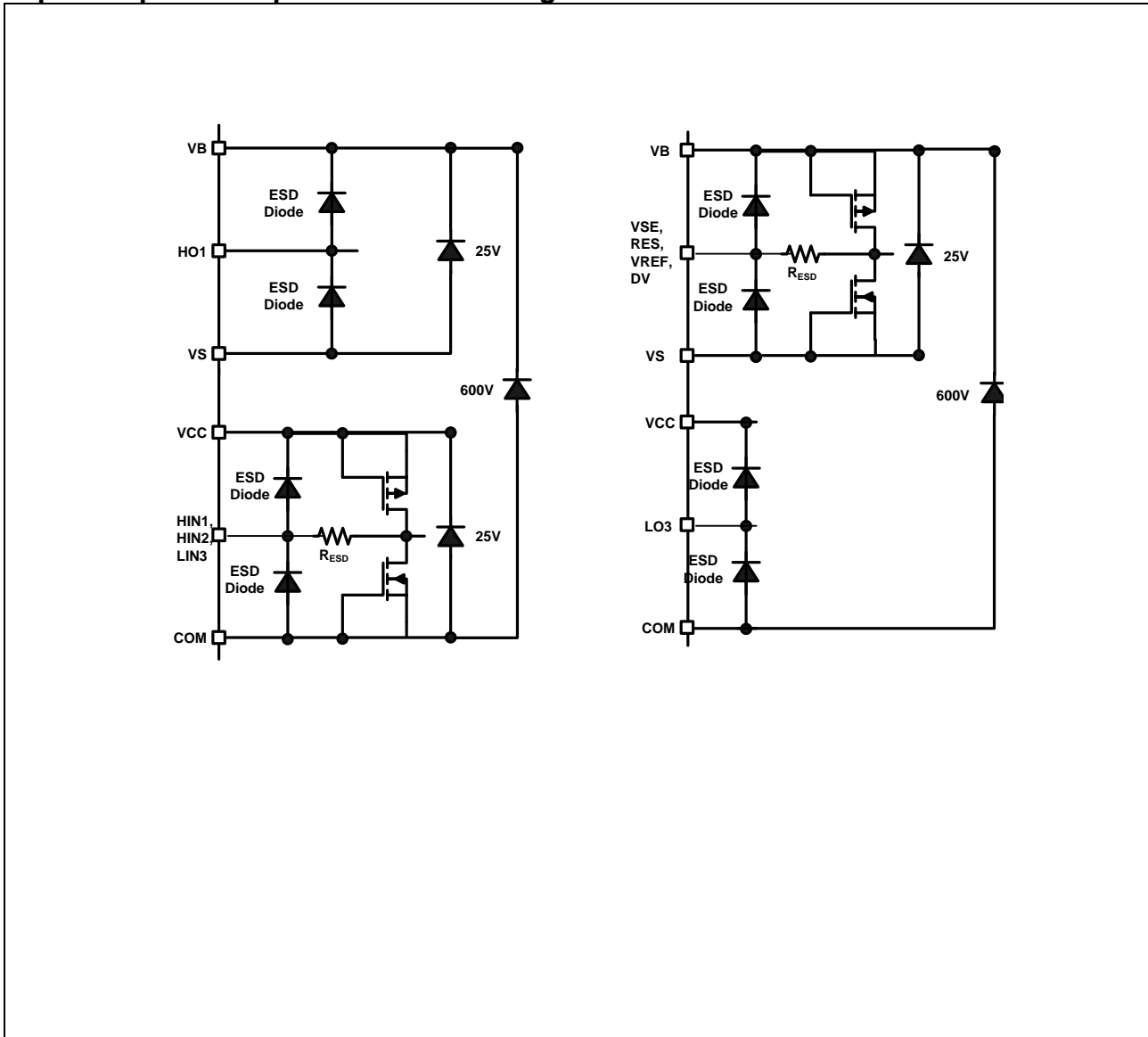


Figure 4 Delay Matching Waveform Definitions

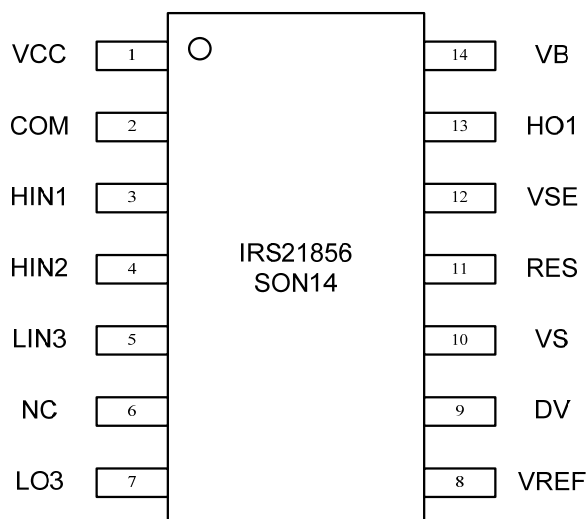
Input/Output Pin Equivalent Circuit Diagrams



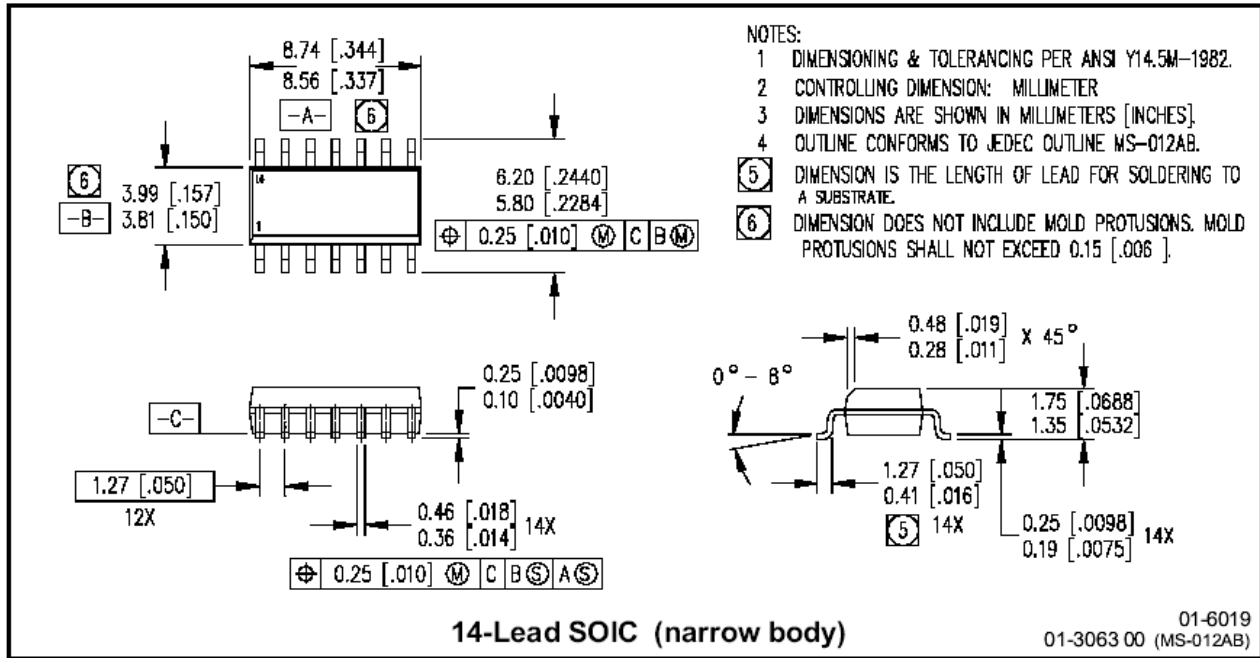
Lead Definitions

PIN#	Symbol	Description
1	VCC	Low side supply voltage
2	COM	Low side supply return
3	HIN1	Logic input for HO1 ramp reference control
4	HIN2	Logic input for high side gate driver outputs, in phase
5	LIN3	Logic input for low side gate driver output
6	NC	No Connection
7	LO3	Low side gate driver output
8	VREF	External programmable R/C input for ramp generation
9	DV	Ramp selection and programmable difference voltage (DV) input
10	VS	High side gate drive floating supply return
11	RES	Adjustable current source resistor input
12	VSE	Voltage sense input
13	HO1	High side gate driver output
14	VB	High side gate drive floating supply

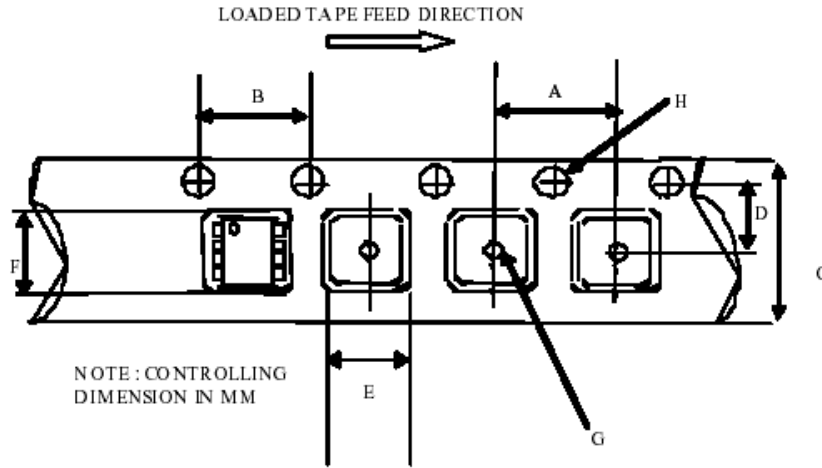
Lead Assignments



Package Details: SOIC14

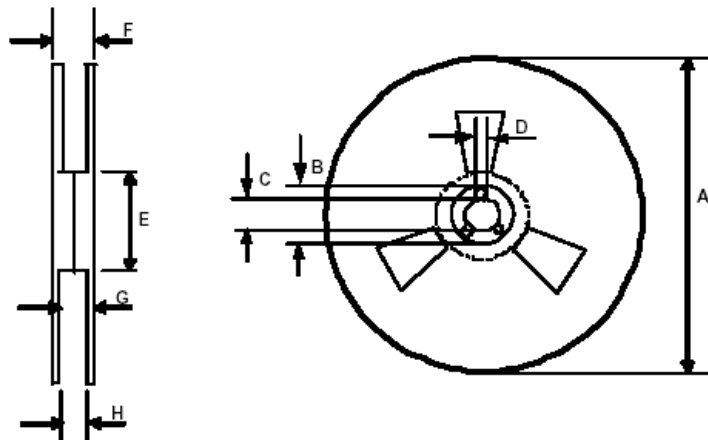


Tape and Reel Details: SOIC14



CARRIER TAPE DIMENSION FOR 14SOICN

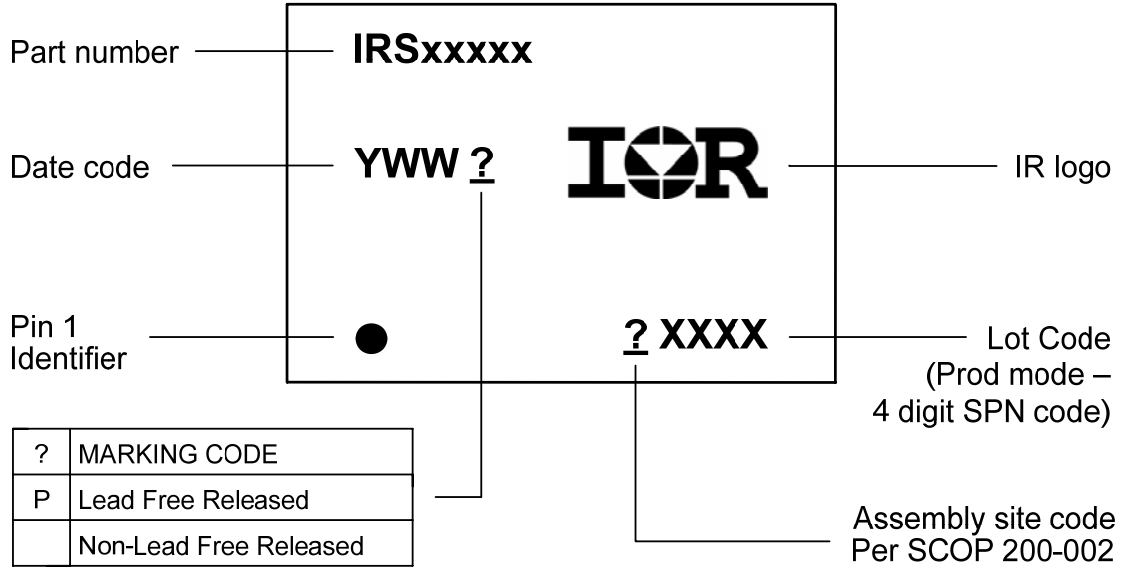
Code	Metric		Imperial	
	Min	Max	Min	Max
A	7.90	8.10	0.311	0.318
B	3.90	4.10	0.153	0.161
C	15.70	16.30	0.618	0.641
D	7.40	7.60	0.291	0.299
E	6.40	6.60	0.252	0.260
F	9.40	9.60	0.370	0.378
G	1.50	n/a	0.059	n/a
H	1.50	1.60	0.059	0.062



REEL DIMENSIONS FOR 14SOICN

Code	Metric		Imperial	
	Min	Max	Min	Max
A	329.60	330.25	12.976	13.001
B	20.95	21.45	0.824	0.844
C	12.80	13.20	0.503	0.519
D	1.95	2.45	0.767	0.096
E	98.00	102.00	3.858	4.015
F	n/a	22.40	n/a	0.881
G	18.50	21.10	0.728	0.830
H	16.40	18.40	0.645	0.724

Part Marking Information



Ordering Information

Base Part Number	Package Type	Standard Pack		Complete Part Number
		Form	Quantity	
IRS21856S	SOIC14	Tube/Bulk	55	IRS21856SPBF
		Tape and Reel	2500	IRS21856STRPBF

The information provided in this document is believed to be accurate and reliable. However, International Rectifier assumes no responsibility for the consequences of the use of this information. International Rectifier assumes no responsibility for any infringement of patents or of other rights of third parties which may result from the use of this information. No license is granted by implication or otherwise under any patent or patent rights of International Rectifier. The specifications mentioned in this document are subject to change without notice. This document supersedes and replaces all information previously supplied.

For technical support, please contact IR's Technical Assistance Center
<http://www.irf.com/technical-info/>

WORLD HEADQUARTERS:
 233 Kansas St., El Segundo, California 90245
 Tel: (310) 252-7105