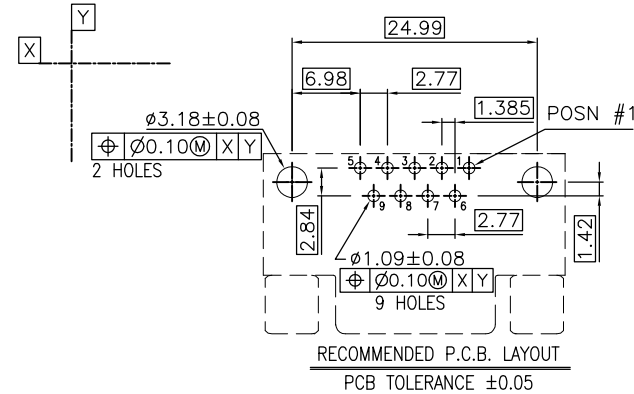
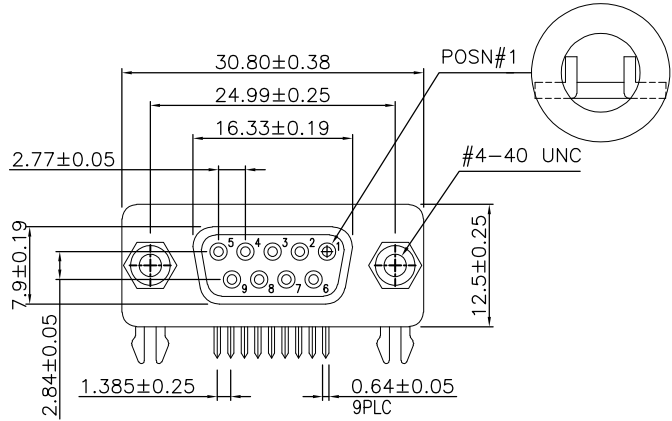


LOC DW

DIST -

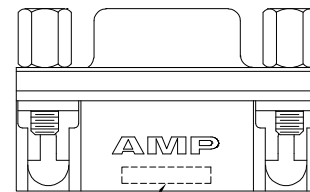
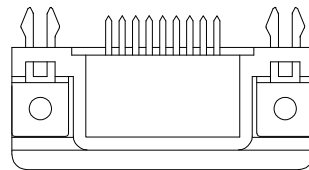
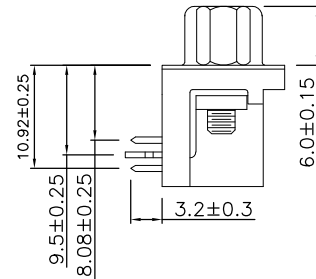
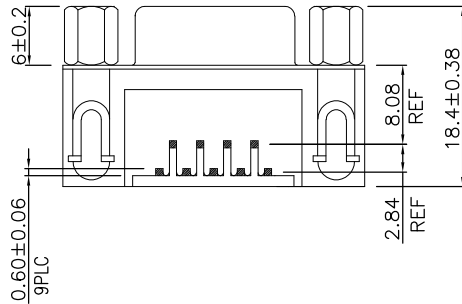
REVISIONS

P	LTR	DESCRIPTION	DATE	DWN	APVD
A1		REVISED PER ECO-11-005301	07MAR11	RK	HMR



NOTES:

- MATERIAL:
 - HOUSING: NY9T WITH 30% G.F. UL 94V-0, COLOR: BLACK
 - CONTACTS: PHOSPHOR BRONZE
 - SHELL: SPCC
 - BOARDLOCKS: BRASS
 - RIVET: BRASS
 - SCREWLOCKS: BRASS, THREAD LENGTH OF SCREW: 6.0 MIN.
- FINISH:
 - CONTACT: GOLD PLATING ON CONTACT AREA. (SEE TABLE)
2.54µm[100µ"] MIN. MATTE-TIN PLATING ON SOLDER TAIL,
1.27µm[50µ"] MIN. NICKEL UNDERPLATED ON ENTIRE CONTACT.
 - BOARDLOCK: 2.54µm[100µ"] MIN. MATTE-TIN PLATING OVER
1.27µm[50µ"] MIN. NICKEL UNDERPLATED ON ENTIRE CONTACT.
 - SHELL: NICKEL PLATED
 - RIVET: NICKEL PLATED
 - SCREWLOCKS: NICKEL PLATED
- NET WEIGHT: 8.9 gram/PC.
- THREADED INSERTS AND SCREWLOCKS MUST WITHSTAND 6 IN-LBS TORQUE.
- DAET CODE: YYWW
- REFLOW SOLDER CAPABLE TO 260°C PER TE CONNECTIVITY SPEC. 109-201, CONDITION B.



DATE CODE

0.38µm[15u"]	1734354-2
GOLD-FLASH	1734354-1
CONTACT FINISH MIN.	PART NO.

THIS DRAWING IS A CONTROLLED DOCUMENT.

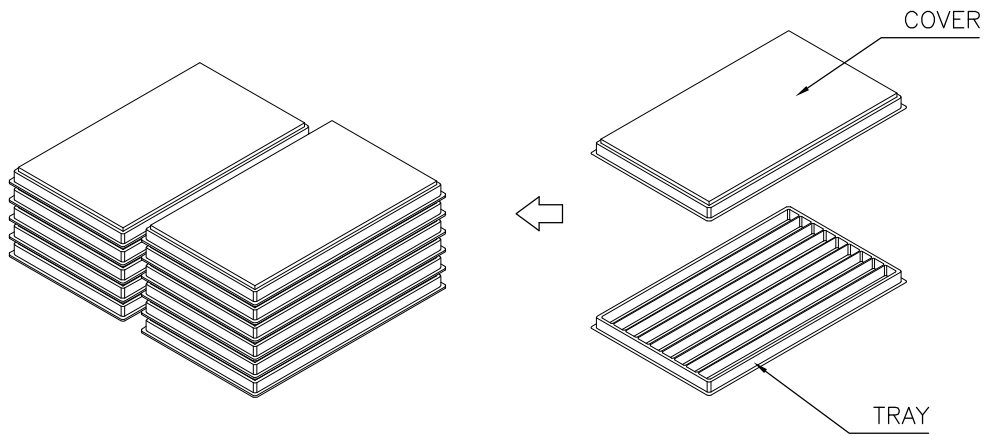
DWN J. LEE 17NOV2006	
CHK S. HOU 17NOV2006	
APVD W.J. KE 17NOV2006	
PRODUCT SPEC	
108-57541	
QUALIFICATION TEST REPORT	
501-57623	
WEIGHT SEE NOTE	
CUSTOMER DRAWING	

TE Connectivity

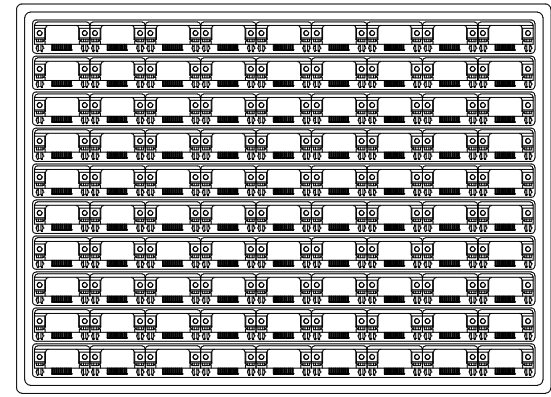
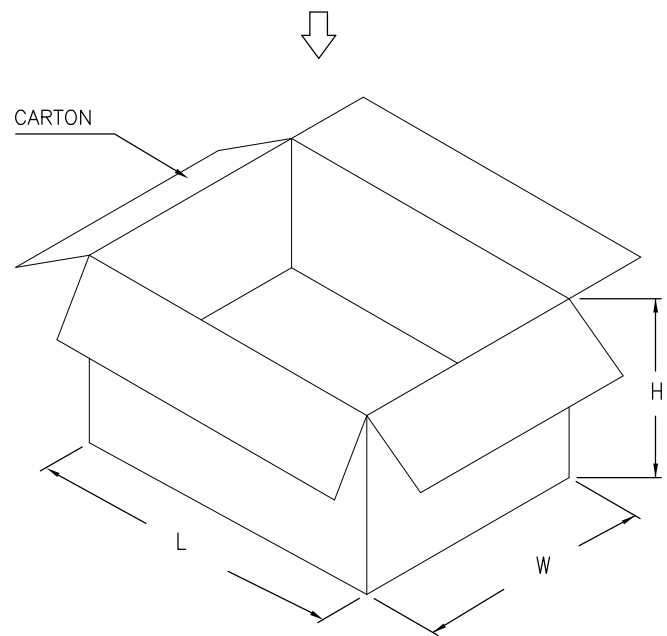
NAME			
RECEPTACLE ASSEMBLY, 9 POSN, RIGHT ANGLE, 8.08mm[0.318in] SERIES, AMPLIMITE, WITH SCREWLOCKS			
SIZE	CAGE CODE	DRAWING NO	RESTRICTED TO
A3	00779	1734354	-
SCALE	SHEET	1 of 2	REV A1

THIS DRAWING IS UNPUBLISHED. RELEASED FOR PUBLICATION
 © COPYRIGHT - BY - ALL RIGHTS RESERVED.

LOC		DIST		REVISIONS					
DW		-		P	LTR	DESCRIPTION	DATE	DWN	APVD
				-		SEE SHEET 1.	-	-	-



- NOTES:
- MATERIAL:
 - 1.1 TRAY: PVC
 - 1.2 SHIPPING CARTON: CORRUGATED FIBERBOARD
 - DIMENSION:
 - 2.1 TRAY: L=306, W=217, H=15.8
 - 2.2 SHIPPING CARTON: L=440, W=321, H=153
 - QUANTITY:
 - 3.1 PRIMARY PACKING: 90 PCS/TRAY
 - 3.2 SECONDARY PACKING: 11 TRAY/CARTON(990PCS)
 - CARTON WEIGHT:
 - 4.1 NET WEIGHT: 8.9 KG
 - 4.2 GROSS WEIGHT: 9.9 KG



THIS DRAWING IS A CONTROLLED DOCUMENT.		DWN J. LEE 17NOV2006		NAME												
DIMENSIONS: MM		CHK S. HOU 17NOV2006		RECEPTACLE ASSEMBLY, 9 POSN, RIGHT ANGLE, 8.08mm[0.318in] SERIES, AMPLIMITE, WITH SCREWLOCKS												
TOLERANCES UNLESS OTHERWISE SPECIFIED:		APVD W.J. KE 17NOV2006	PRODUCT SPEC	SIZE	CAGE CODE											
<table border="1"> <tr><td>0 PLC</td><td>± -</td></tr> <tr><td>1 PLC</td><td>± -</td></tr> <tr><td>2 PLC</td><td>± -</td></tr> <tr><td>3 PLC</td><td>± -</td></tr> <tr><td>4 PLC</td><td>± -</td></tr> <tr><td>ANGLES</td><td>± -</td></tr> </table>		0 PLC	± -	1 PLC	± -	2 PLC	± -	3 PLC	± -	4 PLC	± -	ANGLES	± -	APPLICATION SPEC	DRAWING NO	RESTRICTED TO
0 PLC	± -															
1 PLC	± -															
2 PLC	± -															
3 PLC	± -															
4 PLC	± -															
ANGLES	± -															
MATERIAL		WEIGHT	A3	00779	C=1734354											
FINISH		CUSTOMER DRAWING	SCALE	SHEET	REV											
			-	2 of 2	A1											